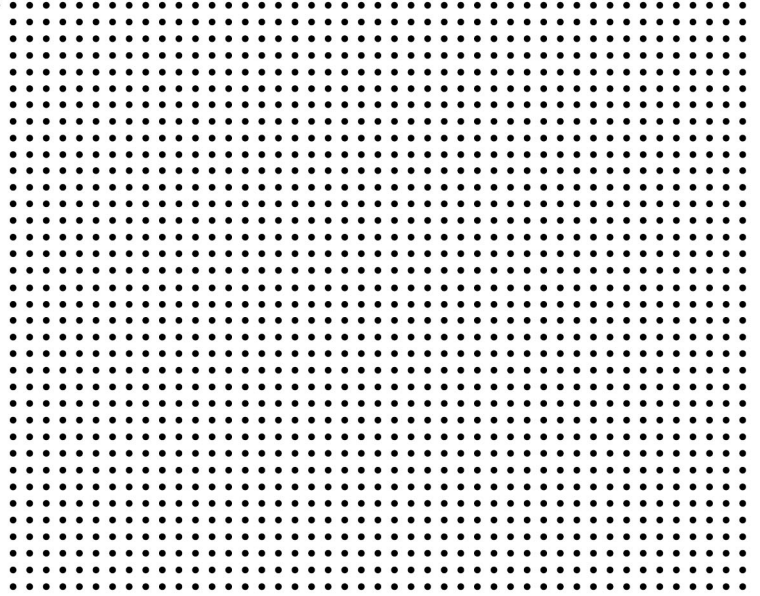


LIGHT LINE RECTANGULAR

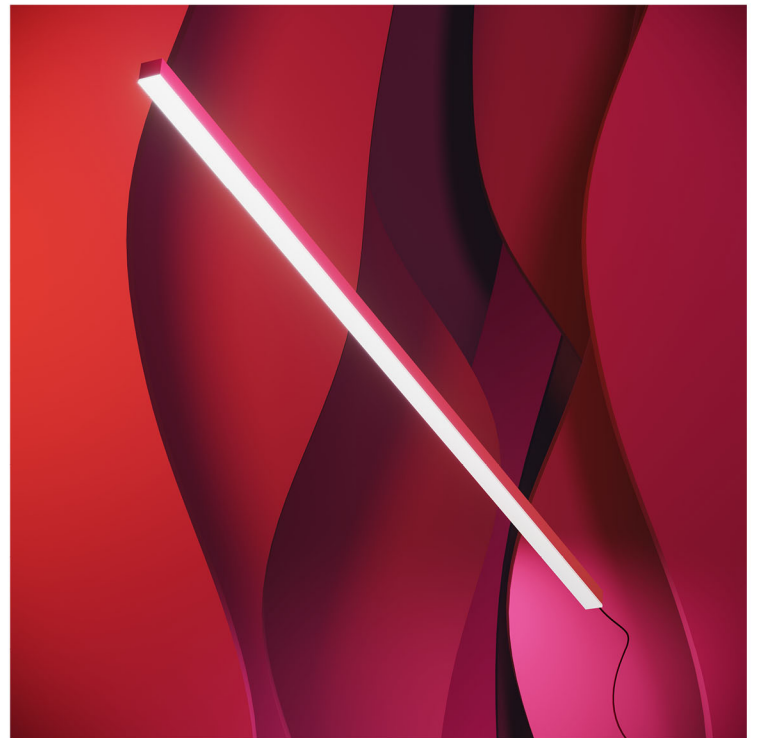
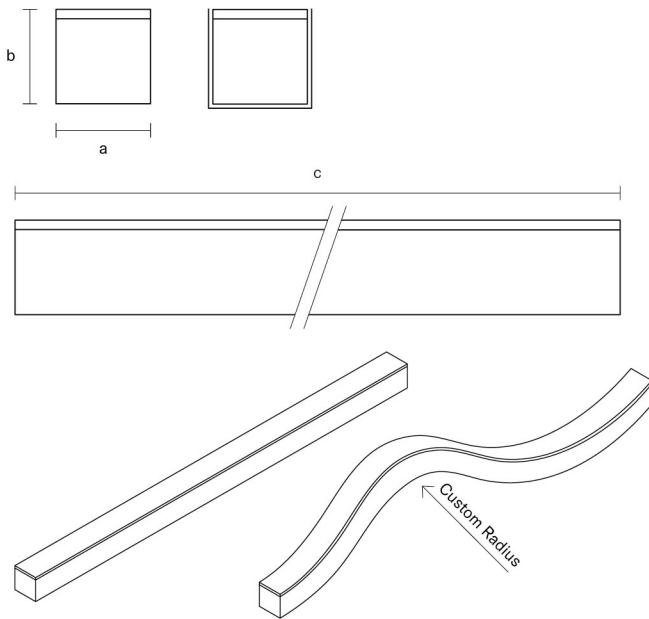


FEATURES

- Fully homogeneous and uniform diffuser appearance.
- Connect or abut fixtures with seamless light.
- Stainless steel, aluminium, brass and copper finishes.
- Range of light outputs available.
- Surface mounted, flush recessed and plaster-in variations.
- 50,000+ hours life expectancy.
- 5V, 12V, 24V and 48V variants available to suit the project.
- IP44 up to IP68 protection available.
- Range of first-fix installation channels.
- Straight lengths and custom curves.
- Diffuser customisations and optics available.
- Wide selection of controls options.
- Luminaire efficacy average 70 lm/W.
- Available in 50mm/100mm increments.



TECHNICAL INFO



EXAMPLE ORDER CODE

FAB-LI-P-10-25-100-9.6-44-2700-FA-RA-CL-SWITCHED

DIM A	DIM B	DIM C	OUTPUT	IP RATING	LIGHT COLOUR	DIFFUSER	FINISH	MOUNTING	CONTROL
10	25	100	9.6	44	2700	Frosted Acrylic - FA	Raw Aluminium - RA	Clips - CL	Switched
13	18	200	14	65	3000	Dark Acrylic - DA	Anodised Silver - AS	Recessed Channel - RC	Dali
16	21	300	18	67	4000	Opal Glass - OG	Anodised Black - AB	Suspended - S	DMX
19	24	500		68	5000		Anodised Colour - ARAL	Magnetic Pads - MG	Art-Net
25	30	1000			RGB		Powder Coat White - PW	In-ground - ING	Fab Content
30	35	1500			RGBW		Powder Coat Black - PB		
40	45	2000			RGBWW		Powder Coat Colour - PRAL		
50	55	2500			RGBCW/WW		Stainless Steel - SS		
76	61	3000					Brass - BR		
75	43						Copper - CO		
102	56								
SITE	SITE	SITE							