

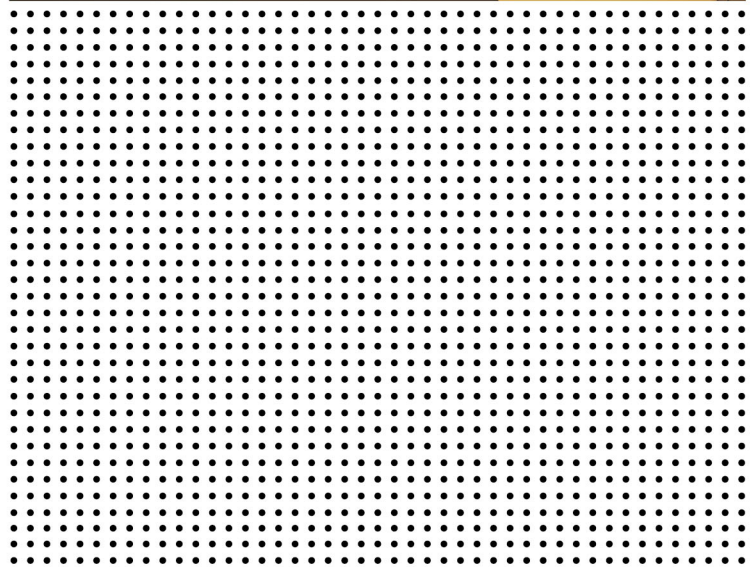
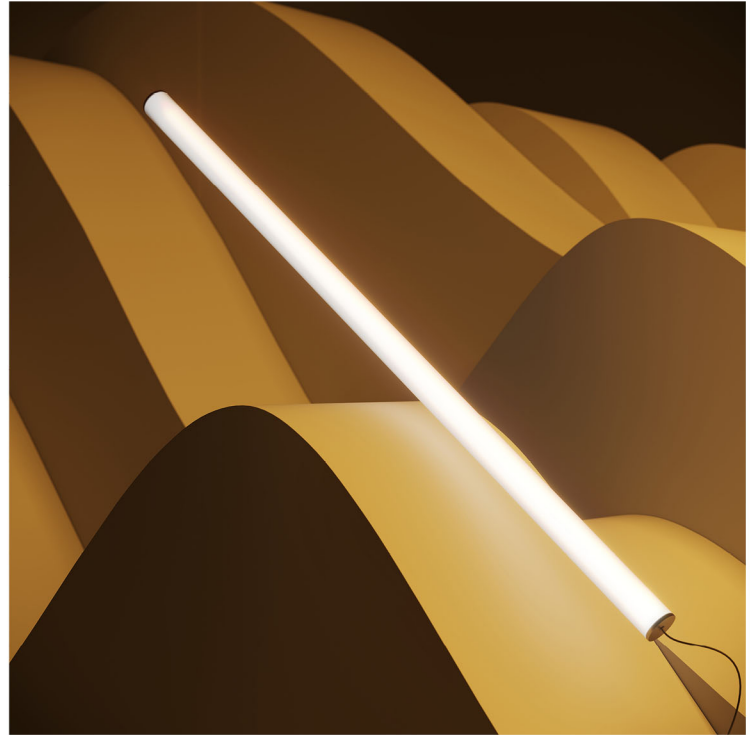
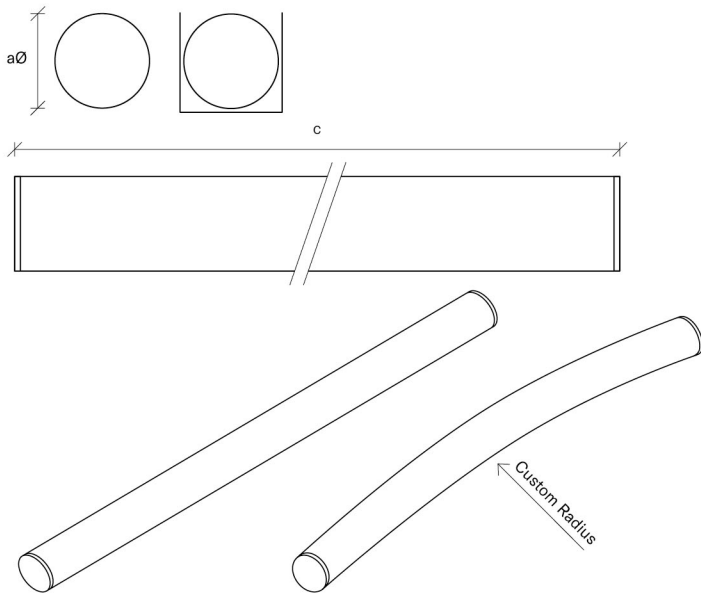
# LIGHT LINE ROUND



## FEATURES

- Fully homogeneous and uniform diffuser appearance.
- Connect or abut fixtures with seamless light.
- Stainless steel, aluminium, brass and copper finishes.
- Range of light outputs available.
- Surface mounted, flush recessed and plaster-in variations.
- 50,000+ hours life expectancy.
- 5V, 12V, 24V and 48V variants available to suit the project.
- IP44 up to IP68 protection available.
- Range of first-fix installation channels.
- Straight lengths and custom curves.
- Diffuser customisations and optics available.
- Wide selection of controls options.
- Luminaire efficacy average 70 lm/W.
- Available in 50mm/100mm increments.

## TECHNICAL INFO



## EXAMPLE ORDER CODE

FAB-LI-ROU-40-100-9.6-44-2700-OA-RA-CL-SWITCHED

DIM A	DIM C	OUTPUT	IP RATING	LIGHT COLOUR	DIFFUSER	ENDCAPS FINISH	MOUNTING	CONTROL
40	100	9.6	44	2700	Opal Acrylic - OA	Raw Aluminium - RA	Clips - CL	Switched
50	150	14	65	3000	Dark Acrylic - DA	Anodised Silver - AS	Recessed Channel - RC	Dali
60	200	18	67	4000		Anodised Black - AB	Suspended - S	DMX
70	250		68	5000		Anodised Colour - ARAL	In-ground - ING	Art-Net
80	300			RGB		Powder Coat White - PW		Fab Content
90	350			RGBW		Powder Coat Black - PB		
100	400			RGBWW		Powder Coat Colour - PRAL		
120	500			RGBCW/WW		Stainless Steel - SS		
150	1000					Brass - BR		
160	1500					Copper - CO		
200	2000							
250	2500							
	3000							
SITE	SITE							