

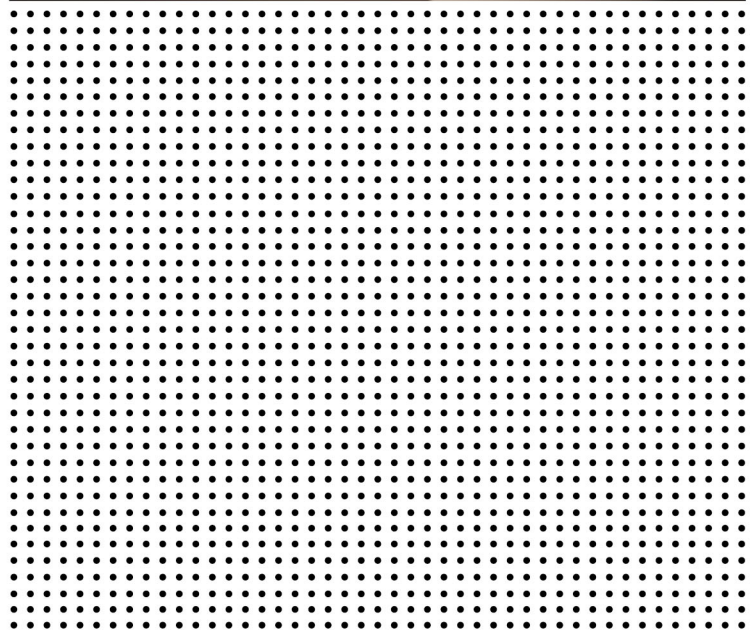
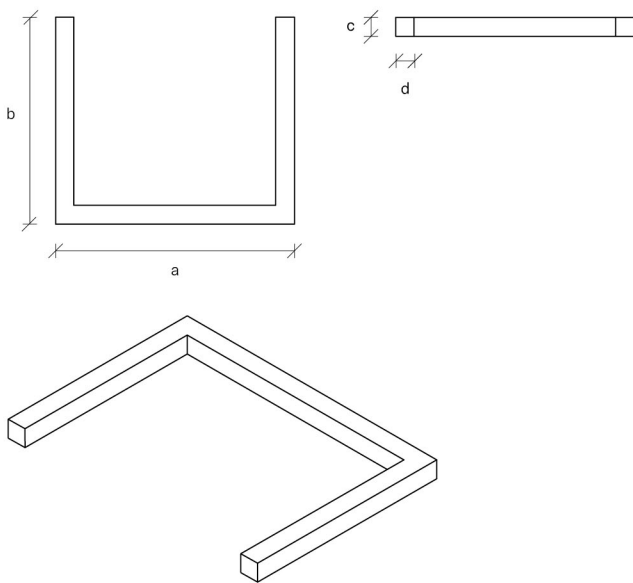
STRUCTURES SHAPE U



FEATURES

- Fully homogeneous and uniform diffuser appearance.
- Stainless steel, aluminium, brass and copper finishes.
- Range of light outputs available.
- Surface mounted, flush recessed and plaster-in variations.
- 50,000+ hours life expectancy.
- IP44 up to IP68 protection available.
- Diffuser customisations and optics available.
- Wide selection of controls options.

TECHNICAL INFO



EXAMPLE ORDER CODE

FAB-S-U-100-100-25-25-9.6-44-2700-OA-RA-CL-SWITCHED

DIM A	DIM B	DIM C	DIM D	OUTPUT	IP RATING	LIGHT COLOUR	DIFFUSER	FINISH	MOUNTING	CONTROL
100	100	25	25	9.6	44	2700	Opal Acrylic - OA	Raw Aluminium - RA	Clips - CL	Switched
200	200	31	31	14	65	3000	Dark Acrylic - DA	Anodised Silver - AS	Suspended - S	Dali
300	300	40	40	18	67	4000	Opal Glass - OG	Anodised Black - AB		DMX
500	500	50	50		68	5000		Anodised Colour - ARAL		Art-Net
625	425					RGB		Powder Coat White - PW		Fab Content
SITE	SITE	SITE	SITE			RGBW		Powder Coat Black - PB		
						RGBWW		Powder Coat Colour - PRAL		
						RGBCW/WW		Stainless Steel - SS		
								Brass - BR		
								Copper - CO		