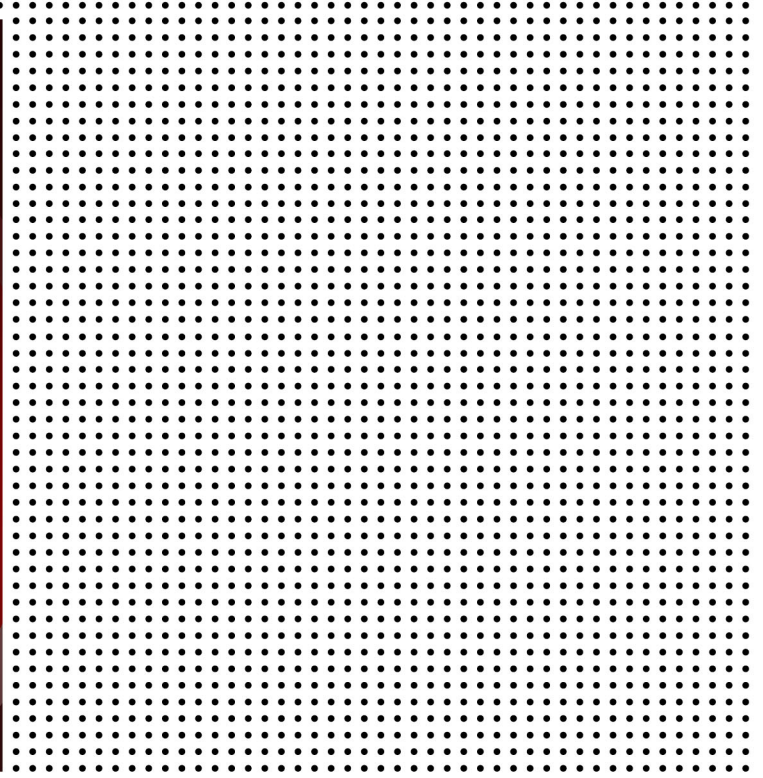
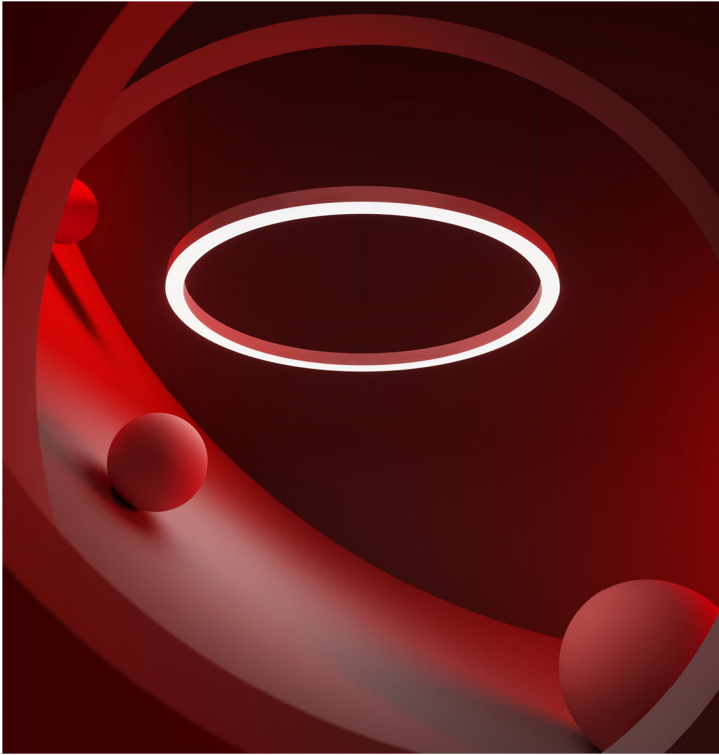


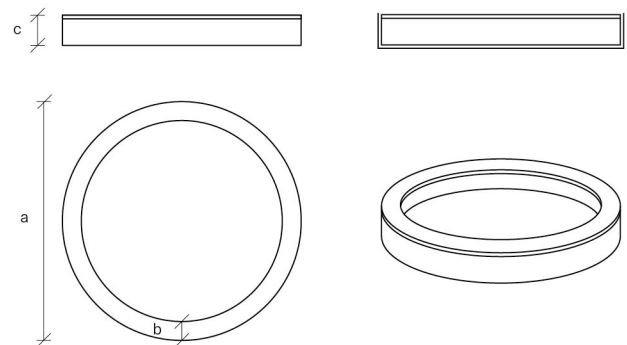
STRUCTURES SHAPE HOOP



FEATURES

- Fully homogeneous and uniform diffuser appearance.
- Stainless steel, aluminium, brass and copper finishes.
- Range of light outputs available.
- Surface mounted, flush recessed and plaster-in variations.
- 50,000+ hours life expectancy.
- IP44 up to IP68 protection available.
- Diffuser customisations and optics available.
- Wide selection of controls options.

TECHNICAL INFO



EXAMPLE ORDER CODE

FAB-S-H-OD100-20-50-9.6-44-2700-OA-RA-CL-SWITCHED

DIM A	DIM B	DIM C	OUTPUT	IP RATING	LIGHT COLOUR	DIFFUSER	FINISH	MOUNTING	CONTROL
OD 100	20	25	9.6	44	2700	Opal Acrylic - OA	Raw Aluminium - RA	Clips - CL	Switched
OD 200	30	50	14	65	3000	Dark Acrylic - DA	Anodised Silver - AS	Suspended - S	Dali
OD 300	40	60	18	67	4000	Opal Glass - OG	Anodised Black - AB	In-ground - ING	DMX
OD 400	50	70		68	5000		Anodised Colour - ARAL		Art-Net
OD 500	60	80			RGB		Powder Coat White - PW		Fab Content
OD 1000	70	90			RGBW		Powder Coat Black - PB		
		100			RGBWW		Powder Coat Colour - PRAL		
SITE	SITE	SITE			RGBCW/WW		Stainless Steel - SS		
							Brass - BR		
							Copper - CO		